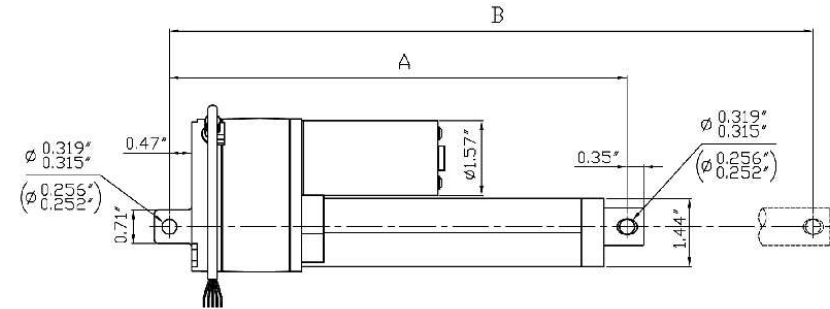
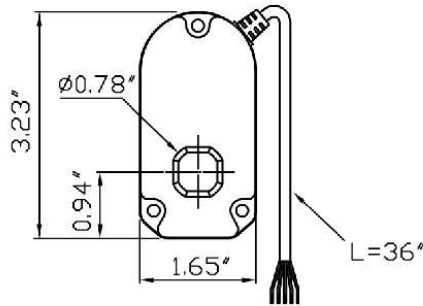
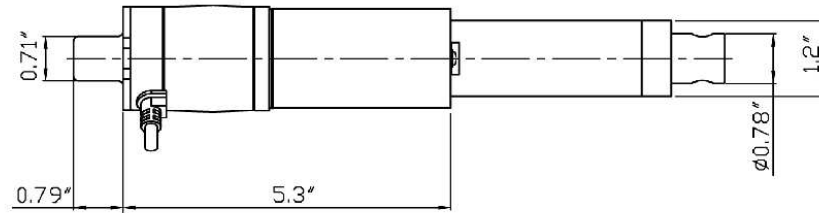


Gear Ratio	No Load speed(in/s)	Max. Load(Ibs)
5:1	1.8"	34
10:1	1.1"	56
20:1	0.6"	112
30:1	0.4"	167
40:1	0.28"	222
Motor Speed	6000rpm	
Input	12V / 24V(DC)	



Stroke	2"	4"	6"	8"	10"	12"
Retracted Length (A±0.12")	7.7"	9.7"	11.7"	13.7"	15.7"	17.7"
Extended Length (B±0.12")	9.6"	13.6"	17.6"	21.6"	25.6"	29.6"

Stroke	(Ohm/in)
2"	4.7K
4"	2.35K
6"	1.4K
8"	1.18K
10"	0.9K
12"	0.75K

WIRE COLOR	COMMENT
RED	MOTOR(+)
BLACK	MOTOR(-)
WHITE	GROUND
YELLOW	V INPUT
BLUE	RS INPUT

PROPRIETARY AND CONFIDENTIAL

THE INFORMATION CONTAINED IN THIS DRAWING IS THE SOLE PROPERTY OF IOWA EXPORT-IMPORT. ANY REPRODUCTION IN PART OR AS A WHOLE WITHOUT THE WRITTEN PERMISSION OF IOWA EXPORT-IMPORT IS PROHIBITED.

Global Solutions
IOWA Export-Import 512 Tuttle Street
 Des Moines, Iowa 50309-4618

				Units	Inches	Part Name
				Tolerances		
				Materials		
Revision	Date	Drawn By	Description	Finish		Part No. LACT2P - LACT12P
A	5/25/2010	KO	LD Series Actuator with Potentiometer	Scale	None	
B				Revision	A	
C				Comments:		
D						